

COE212BRB1X

2MP Network IR Turret

VISION

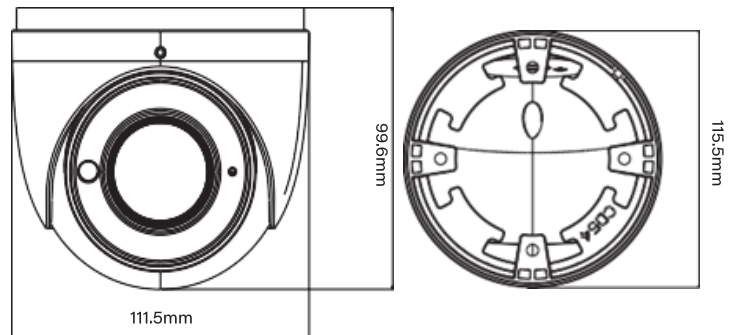


Features

- 2MP (1920 × 1080) H.265 full real time coding
- Max. resolution: 1920 × 1080; ICR auto switch, true day / night
30- 50m IR night view distance
- Motorized zoom lens
- 3D DNR, Digital WDR, HLC, BLC and Defog
- ROI coding Hardware reset
- Built-in micro SD card slot, up to 128GB
- DC12V/PoE power supply
- Support smart phone, iPad, remote monitoring
- IP67 ingress protection
- Dual streams

SPECIFICATIONS

CAMERA		FUNCTIONS	
Image Sensor	1 / 2.7 "CMOS	Remote Monitoring	Web browsing,CMS remote control
Image Size	1920 × 1080	Online Connection	Support simultaneous monitoring for up to 3 users; Support multi-stream real time transmission
Electronic Shutter	1 / 25 s ~ 1 / 100000 s	Network Protocol	UDP, IPv4, IPv6, DHCP, NTP, RTSP, PPPoE, DDNS, SMTP, 802.1x, UPnP,
Iris Type	Fixed Iris	Interface Protocol	ONVIF, GB-T/28181-2011
Min. Illumination	0.005 lux@F1.6, AGC ON; 0 lux with IR 0.0028 lux@F1.2, AGC ON; 0 lux with IR	Storage	Network remote storage; micro SD card storage
Lens	2.8 ~ 12 mm @F1.4, horizontal field of view: 95.4° ~ 35.5° Motorized	Smart Alarm	Motion detection, SD card error, SD card
Wide Dynamic Range	Digital WDR	General function	Watermark, IP address filtering, video mask, heartbeat, password protection
BLC/HLC	Yes	MISCELLANEOUS	
Defog	Yes	Power Supply	DC12V/PoE
Digital NR	3D DNR	Power Consumption	< 9.5W
Angle Adjustment	Pan: 0°~360°; Tilt:0°~80°; Rotation: 0°	IR Distance	30 ~ 50 m
IMAGE		Ingress Protection	IP67
Video Compression	H.265 / H.264 / MJPEG	ORDERING INFORMATION	
H.264 Compression Standard	Baseline Profile/Main Profile/High Profile	COD212BRB1X	2MP Starlight Network IR Turret Camera
Resolution	1080P (1920 × 1080), 720P (1280 × 720), D1, CIF, 480 × 240		
Main Stream	60Hz : 1080P(1 ~ 30fps) / 720P(1 ~		
Sub Stream	60Hz : D1/CIF/480x240 (1~30fps); 50HZ: D1/CIF/480x240 (1~25fps)		
Bit Rate	128 Kbps ~ 4 Mbps		
Bit Rate Type	VBR / CBR		
Audio Compression	G711A / U		
Image Settings	ROI, Saturation, Brightness, Chroma, Contrast, Wide Dynamic, Sharpen, NR,etc. adjustable through client software or web browser		
ROI	Each ROI to be configured separately		
INTERFACES			
Network	RJ45		
Video Output	NO		
Audio	NO		
Storage	Built-in micro SD card slot; up to 128GB		
Hardware Reset	Yes		



Make the Intelligent Choice

For more information about PM Tronics Security products, to see demonstrations, or to discuss your company's needs contact the PMT Security team at 727-786-1900.