



ADVANCED ACCESS CONTROL

8MP Outdoor Panoramic Quad-Directional Starlight IR Dome Network Camera

VISION

Features

- One dome camera contains 4 modules, each to different direction, equal 4 separated IP-Camera.
- One IP address, One Cable (PoE), One bracket, reducing TOC (total owner cost)
- Each module could circularly slide 0°~95°and vertically rotate 30°~70°.
- Each module delivers max 2M (1080P@25/30fps) video stream.
- 360°(H)×90°(V) circular IR illumination, up to 15m in radius.
- VCA: human/vehicle detection, intrusion, line crossing, etc.
- ONVIF specifications, interoperability between network video products regardless of manufacturer
- Full Interface: RJ45, SD Card, Alarm, Audio, Reset
- - 30°C~55°C (-22 °F ~ 131 °F), Built-in heater and fan, IP66 waterproof, IK10, Metal case.
- Support PoE+ (802.3.at, class4) and DC24V / AC24V



Specifications

Camera	
Image Sensor	1/2." progressive scan CMOS × 4CH
Min. Illumination	Color: 0.008Lux @ (F2.0, AGC ON) B/W:0.0008Lux @(F2.0, AGC ON); 0 Lux with IR
Image Setting	Saturation, Brightness, Contrast, Sharpness, AGC, and AWB adjusted by client software/browser
Shutter Speed	1/1 s – 1/10,000 s
White Balance	Auto/Manual/Indoor/Outdoor
Gain	Auto/Manual
Day & Night	IR Cut filter
Privacy Mask	4CH × 1 Programmable privacy masks
Image Enhancement	DWDR 120dB, 3D DNR, Digital zoom, Logo picture Overlay
Angle Adjust	Circular slide 0°~95°Vertically rotate 40°~70°,4CH
Lens	
Focal Length	4mm lens × 4CH, F2.0
FOV	Horizontal FOV:90°; Vertical FOV: 30°
Working Distance	0.2m ~ INF
IR	
IR Range	15m (in radius),360°(H) × 90°(V)
Smart IR	Yes
Network	
Max. Resolution	3840×2160(1~30fps)
Stream 0	Panoramic view: 3840×2160,2560×1440, 1920×1080(1~30fps)
Stream 1	CH1:1920×1080,1280×720,720×480(1~30fps)
Stream 2	CH2:1920×1080,1280×720,720×480(1~30fps)
Stream 3	CH3:1920×1080,1280×720,720×480(1~30fps)
Stream 4	CH4:1920×1080,1280×720,720×480(1~30fps)
Video Compression	H.265+/H.265/H.264+/H.264/MJPEG
Audio Compression	G.711 A/U
Protocols	HTTP, HTTPS, IPv4/IPv6, 802.1x, QoS, FTP, SMTP, UPnP, SNMP,DNS, DDNS, NTP, RTSP, RTCP, RTP, TCP/IP,UDDP, IGMP, ICMP,DHCP, PPPoE
Simultaneous live view	Up to 6 channels
User / Host	Up to 16 users, 3 levels: Administrator, Advanced User and Normal User
Security Measures	User authentication (ID and PW), Host authentication (MAC address); HTTPS encryption, IEEE802.1x port-based network access control; IP address filtering
Smart Features	
Basic Event	Motion detection, video tampering alarm, exception (network disconnected, IP address conflict, SD full, SD error)
Smart Detection	Up to 4 regions configurable: Human/vehicle detection and classification, Face comparison, Intrusion detection, Line crossing detection, Region entrance detection, Region exiting detection, Unattended baggage detection, Object removal detection, Scene change detection.
ROI	Up to 4 regions configurable
Alarm Linkage	Upload to FTP/Memory card, notify surveillance center, send email, trigger alarm output, trigger recording, trigger capture

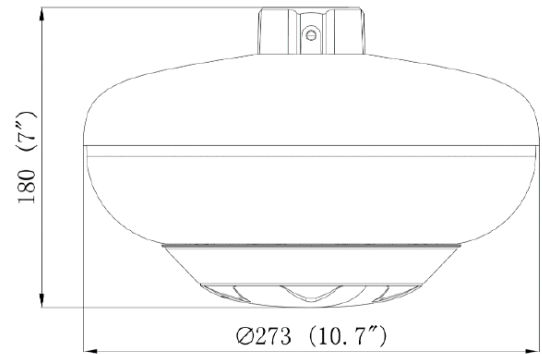
System Integration

Alarm Interface	1CH alarm input; 1CH alarm output
Audio Interface	1CH audio input, 2 to 2.4v[p-p] 1kΩ±10%; 1CH audio output (line out), impedance: 600Ω
Network Interface	1 RJ45 10M/100M Adaptive Ethernet (Support PoE+(802.3.at,class 4))
Storage	Built-in memory card slot, support micro SD/SDHC/SDXC, up to 256G
API	ONVIF, support TVT SDK and third-party management platform
Client	TVT NVR N9000 1.4.5, TVT NVMS 2.0
Web Browser	IE8-11

General

Power	AC24V,DC24V,PoE+ (802.3.at, class 4), (Max 25W, include IR and Heater on)
Working condition	-30°C ~ 55°C (-22 °F ~ 131 °F),90%RH less (non-condensing),Cold start at - 20°C
Storage condition	-40°C ~ 70°C ;≤ 95% RH
Protection	IP 66, IK10, 6000V Lightning Protection, Surge Protection and Voltage Transient Protection
Material	Aluminum Alloy; Plastic
Dimensions	∅273mm × H 180mm(∅10.7" × 7")
Weight	Net weight Approx. 2.1Kg(4.62lb)
Certification	IK10, IP66,ROHS, CE, FC

Dimensions (mm[inch])



Optional Accessories



Make the Intelligent Choice

For more information about PM Tronics Security products, to see demonstrations, or to discuss your company's needs contact the PMT Security team at 727-786-1900.