



## Quick View

### User Interface and Accessibility:

- Customize user categories, details & fields
- Web-based user interface
- Personalized dashboard

### Security Features:

- Anti-passback doors
- Database Encryption
- Threat level actions
- Biometric, wireless & electric lock Integrations
- Hosted Visitor

### Installation and Setup:

- Auto-Install simplicity
- Regular software upgrades

### Reporting and Analytics:

- Customizable scheduled reports

### Automation and Integration:

- Automations
- Time & Event triggered actions
- API for 3rd party hardware and software integrations

OMNIA provides you with all the capacity you will ever require and exceptional control in a system that is simple to configure through a web browser.

The large feature set makes it one of the most flexible systems available and everything you need to manage and control your premises is quickly accessible within OMNIA.

Along with user-intuitive processes & auto-hardware identification, the configuration and commissioning of OMNIA can quickly be achieved, no matter the size of your operation.

The web-based solution eliminates software deployment to the many client machines and granular control over user interface components allows easy tailoring of a variety of client templates to suit various roles within the organization.

The growing threat of cyber attacks are mitigated with an ongoing program of cyber security improvements. This release of OMNIA includes support for the database encryption that can be configured on the SQL Server installation, as part of the cyber security improvement program.

The ability to schedule the dissemination of access reports via email allows for greater control over your site, with streamlined monitoring and management.

Automated suspension of unused tags and the deletion of expired credentials provide additional peace of mind.

OMNIA is tiered to suit your needs with a range of options and upgrade paths.

The API facilitates a variety of integrations with both hardware and software.

Key Integrations:

- Biometric Integrations with IDEMIA, Control iD, HID, Suprema & Hikvision
- iTRT2 System Controller Mode
- Assa Abloy Aperio wireless readers & electric locks
- Nedap long range reader support
- CathexisVision Video Management
- Milestone CCTV
- HID Mobile Access
- 3rd party Visitor Management
- 3rd party Time & Attendance
- EVTrack Visitor Management

## Features

### Reporting and Monitoring

#### Comprehensive reporting and auditing

Insights into access patterns, security incidents, and operational metrics.

#### Scheduled Reports

Stay informed with regular updates on employee metrics, access activity, and security incidents

#### Personalized Dashboard

Real-time insights with customizable live monitoring widgets.

#### Messaging features

Smooth communication among operators and stakeholders

### Security Management

#### Operator Security Profiles

Customize security profiles for operators, ensuring precise access based on roles, enhancing accountability.

#### Site and Door Access Permissions

Control premises access with detailed permissions for sites and doors.

#### Access Maintenance

Effective enforcement of security policies and routine maintenance tasks.

### System Setup and Integration

#### Accelerated setup and onboarding

*Batch Operations:* Simultaneously manage multiple users, permissions, or devices.

*CSV Import:* Easily migrate and provision user data.

*Virtual Hardware:* Swift setup without physical devices, seamless integration.

#### Integration Tools and APIs

Seamlessly integrate with existing security systems and business applications

#### Translations and Regional Support

Multilingual support for diverse global audiences.

#### Database Security

Ensure data integrity with SQL support and encryption.

#### Diagnostics Tools

Prompt detection and resolution of system issues

### Access Control Features

#### Zoning and Routing

Organize facilities efficiently with zoning capabilities.

#### Door Modes and Event Mapping

Adaptive door behavior and triggered responses for enhanced security.

#### Categories and Customizations

Tailor access control categories and fields to specific requirements.

#### Card Design and Printing

Simplified card management

### Enhanced Security Measures

#### Biometric Authentication

Enhanced security with facial, fingerprint, and hand recognition.

#### Mobile Credentials

Access via smartphones for heightened security and convenience.

#### Threat Level Management

Real-time adjustment of security measures in response to threats.

#### Duress Codes

Activation of alarms discreetly in emergency situations.

## Features (Continued)

### Visitor and Workforce Management

#### Dual Tag Authentication

Enhanced security with dual tag authentication and visitor management capabilities.

#### Guard Tour

Efficient security patrols and monitoring activities

### Site Management and Operations

#### Site Management

Efficient management of multiple sites from a centralized platform.

#### Elevator Control

Seamless management of elevator access permissions.

#### Suspension Facilities

Temporary suspension of access privileges as needed.

### Additional Features

#### Wireless Readers and Locks

Flexible access control solutions without extensive wiring.

#### Flexible Architecture

Support Adaptable controllers for scalability and third-party integration. Ensure security with anti-pass back and interlocking doors

## Minimum Requirements

#### OMNIA Server Hardware:

- Intel® 12th Generation Core i5-9500 or equivalent
- RAM 16 GB
- Available Disk Space 50 GB
- Screen Resolution 1280 x 800

#### OMNIA Server Software:

- Microsoft Windows 10/ Windows Server 2019
- SQL Server 2012 Express With Advanced Services
- Internet Information Services (IIS) with ASP.Net Extensions
- Local Administrator rights

#### OMNIA Client Hardware:

- Intel 11 Gen Core i3
- RAM 8 GB
- Available Disk Space 2 GB
- Screen Resolution 1280 x 800

#### OMNIA Client Software:

- Microsoft Windows 10/ Windows Server 2019
- HTML5 Compliant Browser
- Local administrator rights required when printing tags or utilizing USB tag and biometric enrollment devices

## Minimum Requirements (Continued)

#### OMNIA Network Requirements:

##### Communications:

- 100Mbps Ethernet Network Interface (between OMNIA Hardware and Server/Clients)
- LAN, VPN and most properly configured WANs are supported.
- Static IP addresses are required for all OMNIA components including the server.

##### Remote Client Connection:

When using a remote client computer, you must be able to communicate with the server via IP address or DNS name on the assigned TCP Port (defaults listed below)

*NOTE: When connecting over a WAN or Internet, you must setup your router to open and forward ports appropriately per the chart below. Dynamic DNS for internet connected clients is useful in cases where static IPs are not possible.*

##### Network Ports:

OMNIA utilizes both TCP and UDP protocols and requires the following ports be open:

82	HTTP Client Web Interface	1002	OMNIA Control Module
443	SSL Web Interface	1000 8	IP Terminals
1433	MS SQL	1002 2	EC3 Listener Port
10008	All IP Terminals	1050 0	Discovery Port
10010	API Interface		
10500	Discovery Port		
11010	IDEMIA Biometrics		

## OMNIA V5 Tiers

Software Tiers						
	SYSTEM			SITE		API
	Sites	Doors	Credentials	Doors	Credentials	
SLP915	1	30	1000	30	1000	Optional *
SLP930	1	100	3000	100	3000	Optional *
SLP935	25	200	250000	200	10000	Included
SLP940	250	500	250000	500	35000	Included
SLP945	250	1000	250000	1000	50000	Included
SLP950	250	1500	250000	1500	75000	Included
SLP955	250	2000	250000	2000	100000	Included
SLP960	250	2500	250000	2500	250000	Included
SLP965	250	5000	500000	5000	500000	Included
SLP970	250	10000	1000000	10000	1000000	Included
Optional * - choice of:		SLP916 - Visitor Management API				
		SLP917 - Time and Attendance API				
		SLP918 - Full API				

## OMNIA V5 Statistics

Per System													
Category	APC MAX	EC MAX	Demo Mode	SLP915	SLP930	SLP935	SLP940	SLP945	SLP950	SLP955	SLP960	SLP965	SLP970
Sites			1	1	1	25	250	250	250	250	250	250	250
Credential Holders			10	1000	1000	125000	125000	250000	250000	250000	250000	500000	1000000
Credentials			10	1000	3000	250000	250000	250000	250000	250000	250000	500000	1000000
Access Groups			5	50	100	125000	125000	125000	125000	125000	125000	250000	500000
Controllers			1	30	100	200	250	250	500	500	750	1000	1000
Doors			2	30	100	200	500	1000	1500	2000	2500	5000	10000
User Logins			1	2	2	No Software Limit*							
Expiry Reasons	30	30	0	30									
API Bundle	N/A	N/A	No	No	No	Yes							

\* Server/PC limits will effect the number of concurrent users.

## OMNIA V5 Statistics (Continued)

Per Site													
Category	APC MAX	EC MAX	Demo Mode	SLP915	SLP930	SLP935	SLP940	SLP945	SLP950	SLP955	SLP960	SLP965	SLP970
Credential Holders	1000	1000000	10	1000	1000	5000	1000/35000	10000/50000	10000/75000	10000/100000	10000/250000	10000/500000	10000/1000000
Credentials	1000	1000000	10	1000	3000	10000	1000/35000	10000/50000	10000/75000	10000/100000	10000/250000	10000/500000	10000/1000000
Access Groups	1000	100	5	50	100	5000	10000	10000	10000	10000	10000	10000	10000
Controllers	200	200	1	30	100	200	200	200	200	200	200	200	200
Common Zone	64	64	1	30	64	64	64	64	64	64	64	64	64
Zones	64	64	1	30	100	200	500	1000	1500	2000	2500	5000	10000
Doors	64	64	2	30	100	200	500	1000	1500	2000	2500	5000	10000
Time Triggered Actions	512	512	1	30	100	200	500	1000	1500	2000	2500	5000	10000
Holidays	64	64	1	60									
Access Time Patterns	128	128	2	128									
Device Time Patterns	250	250	1	250									
Elevators	N/A	N/A	1	50									
Floors per Elevator	N/A	N/A	2	100									
Long Messages	200	200	200	200									
Visitor Follow Me	N/A	N/A	50	50									
Per Credential Holder													
Credentials	1000	1000000	2	25									
Access Groups	25	255	2	25/100(using enterprise controller)									
Expiry Reasons	10	10	10	10									
Per Controller													
Zones	64	64	64	64									
Doors	64	64	64	64									
Readers	64	64	64	64									
Modes	64	64	64	64									
Event/Action Combo.	8000	8000	8000	8000									
Associated outputs	512	512	512	512									
Associated inputs	512	512	512	512									
Miscellaneous													
Zones per common zone	32	32	32	32									
Doors per common zone	64	64	64	64									
Door modes per reader	8	8	8	8									
Floors per elevator	N/A	N/A	2	100									
Actions per access group	10	10	10/20	10/20(using enterprise controller)									
Actions per event	25	128	25/128	25/128(using enterprise controller)									

## ORDERING INFORMATION

SLP915	OMNIA V5 Basic - 1 Site, 1k Credentials, 30 Doors, 2 User Logins
SLP930	OMNIA V5 Basic - 1 Site, 3k Credentials, 100 Doors, 2 User Logins
SLP935	OMNIA V5 Enterprise - 25 Sites, 250k Credentials, 200 Doors
SLP940	OMNIA V5 Enterprise - 250 Sites, 250k Credentials, 500 Doors
SLP945	OMNIA V5 Enterprise - 250 Sites, 250k Credentials, 1000 Doors
SLP950	OMNIA V5 Enterprise - 250 Sites, 250k Credentials, 1500 Doors
SLP955	OMNIA V5 Enterprise - 250 Sites, 250k Credentials, 2000 Doors
SLP960	OMNIA V5 Enterprise - 250 Sites, 250k Credentials, 2500 Doors
SLP965	OMNIA V5 Enterprise - 250 Sites, 500k Credentials, 5000 Doors
SLP970	OMNIA V5 Enterprise - 250 Sites, 1000k Credentials, 1000 Doors

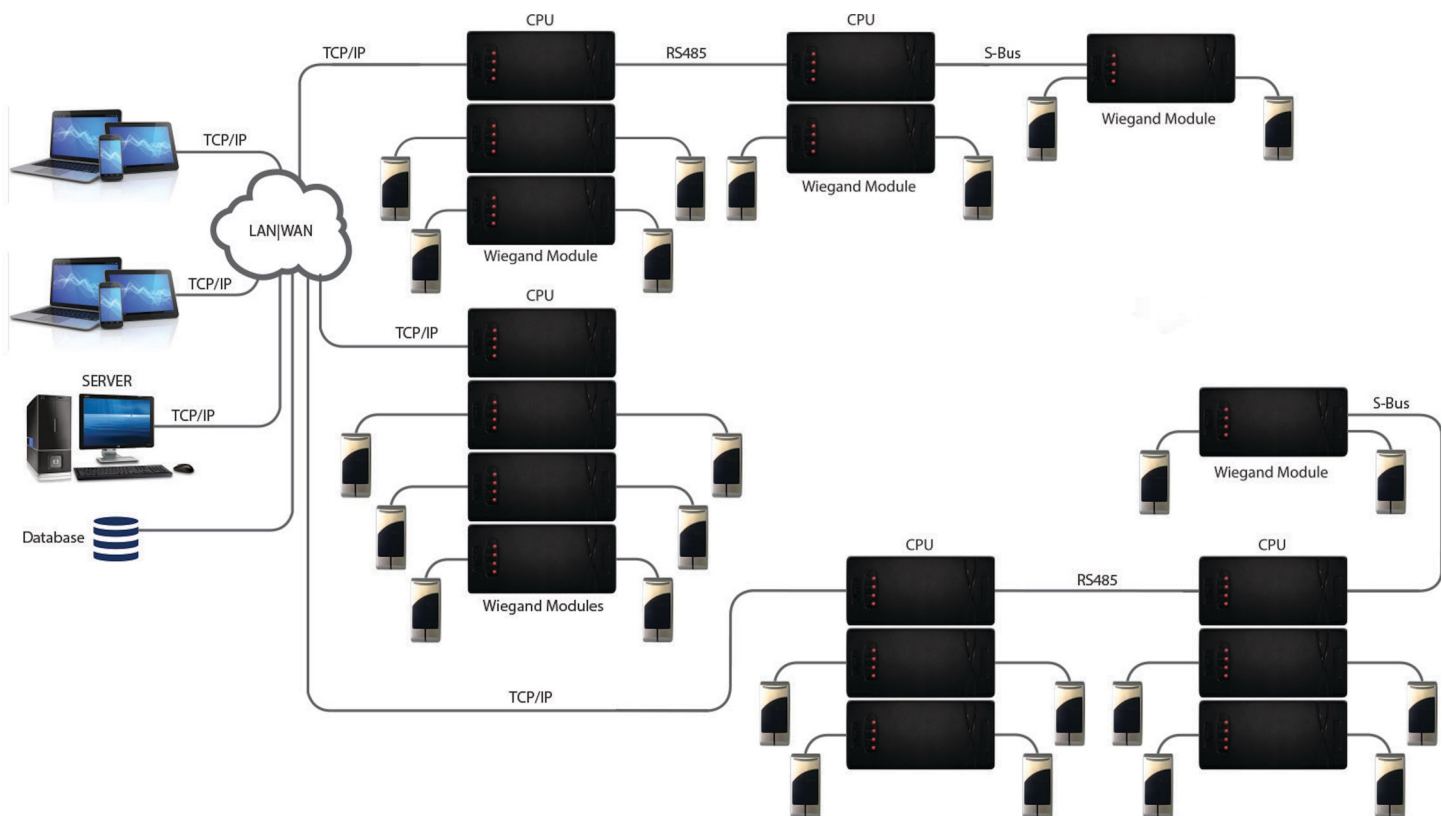


Figure 1: System layout showing the networking flexibility of OMNIA

## Make the Intelligent Choice

For more information about PMTSecurity products, to see demonstrations, or to discuss your company's needs contact the PMTSecurity team at 727-786-1900.